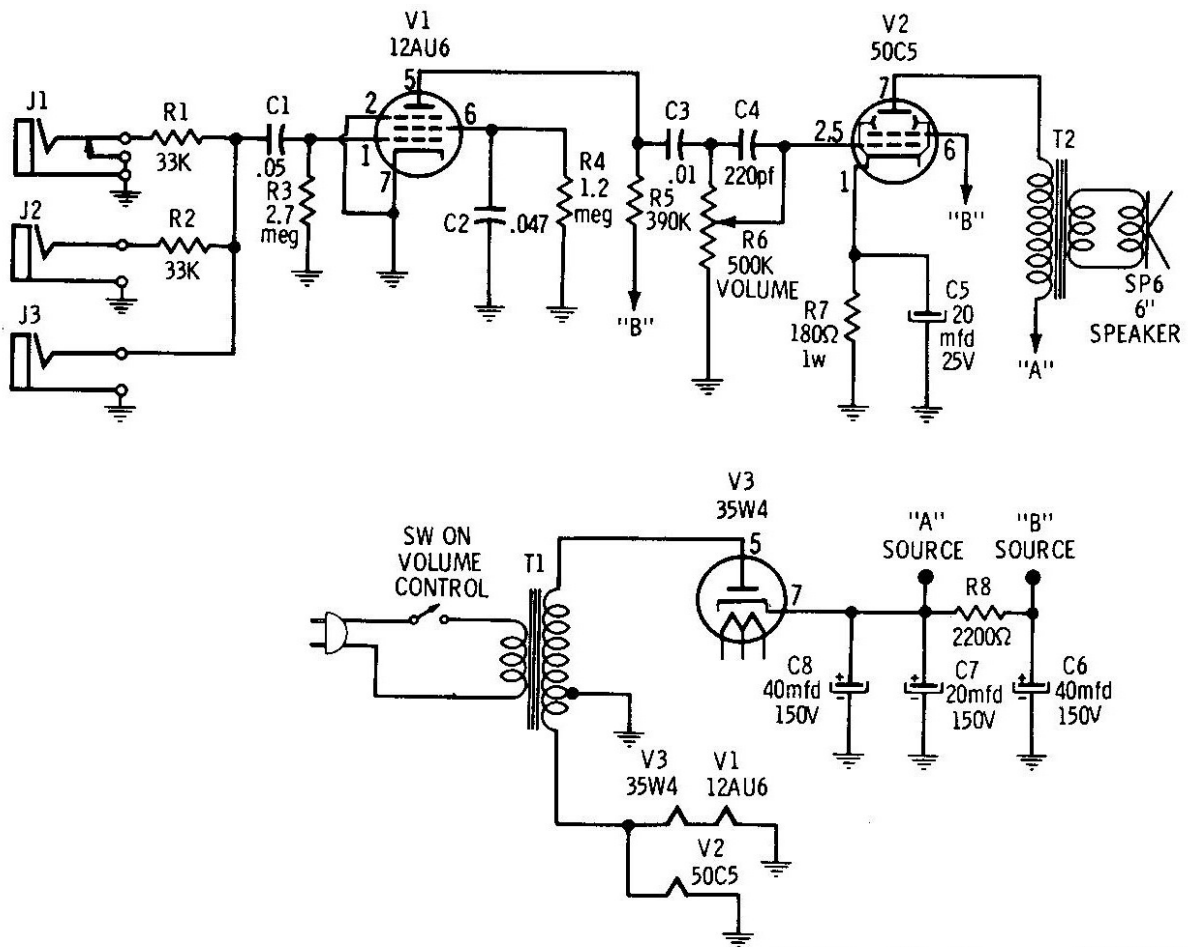


# HARMONY H-303A made in Chicago Illinois 1963



Courtesy The Harmony Company

Fig. 9-2. Harmony Model H-303A.

## PARTS LIST

### RESISTORS

R1.R2 - 33K 1/2 WATT  
 R3 - 2.7 Meg 1/2 WATT  
 R4 - 1.2 MEG 1/2 WATT  
 R5 390K 1/2 WATT  
 R6 - 300K VARICONTROL W/sw  
 R7 - 180 1 WATT  
 R8 - 2200 1/2 WATT

### CAPACITORS

C1 - .05 100VDC  
 C2 - .047 100 VDC  
 C3 - .01 100VDC  
 C4 - 220 Mfd 100 VDC  
 C5 - 200 Mfd 25 VDC  
 C6/C8 - 40 Mfd 150 VDC  
 C7 - 20 Mfd 150 VDC

### TUBES

V1 - 12AU6  
 V2 - 50C6  
 V3 - 35W4

### TRANSFORMERS

T1 - ISOLATION  
 T2 - OUTPUT

### INPUT JACKS

J1- CLOSED CIRCUIT INPUT  
 J2 - OPEN CIRCUIT INPUT  
 J3 - OPEN CIRCUIT INPUT

SP1 6" JENSEN SPEAKER